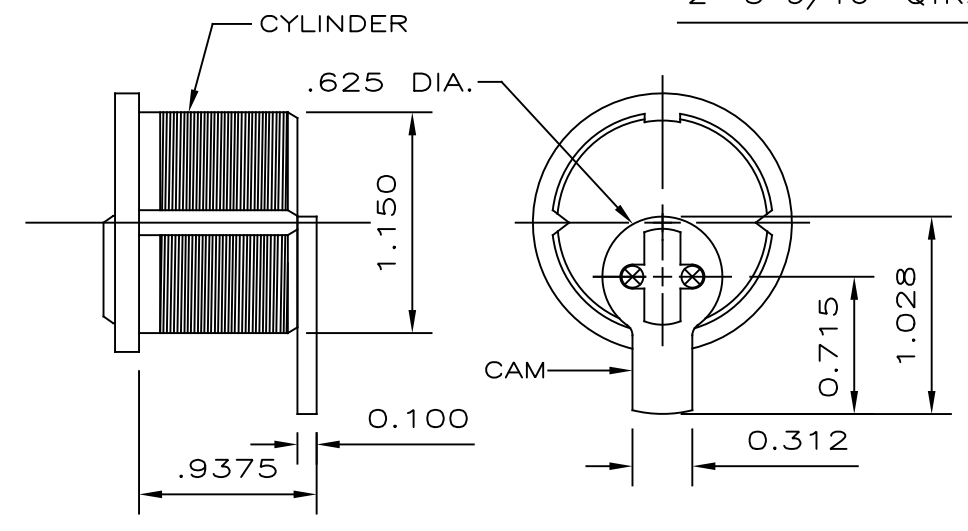


GENERAL CONTRACTOR NOTE:
 GENERAL CONTRACTOR TO PROVIDE A #6\"/>

HARDWARE SCHEDULE

- OVERHEAD MANUAL SPEED CONTROL UNIT.
- FLOOR MOUNTED PIVOT BEARING ASSEMBLY.
- FULVIEW II PANIC PROOF BOOK-FOLD MECHANISM IN COMPLIANCE WITH ALL APPLICABLE REGULATIONS.
- LOCKS: SPECIAL REV. DOOR TYPE TWO (2) REQUIRED INSTALLED AT TOP RAILS OF TWO ADJACENT WINGS FOR INTERIOR LOCKING.
- CYLINDERS: STANDARD SIZE MORTISE TYPE, TWO (2) REQUIRED PER REV. DOOR UNIT, TO BE SUPPLIED BY OTHERS.
- PUSH BARS: 1\"/>

INSTALLER NOTE:
 BOOK-FOLD TENSION IS NOT PRESET; IT MUST BE ADJUSTED TO MEET BUILDING CONDITIONS.



TYPICAL CYLINDER AND "STRAIGHT ARM" TYPE CAM REQUIRED SUPPLIED BY OTHERS. FULL SIZE.
 NOTE: ADAMS-RITE CAM MAY BE SUBSTITUTED

REV #	DATE	REVISED BY	CHK'D	DATE

PRIOR TO FABRICATION, SHOP DRAWINGS AND SAMPLES MUST BE FULLY APPROVED AND RETURNED TO DORMAKABA.

Crane dormakaba

PHONE : 717-335-8722 | DORMA DRIVE REAMSTOWN, PA 17567

PROJECT TITLE: **ATTACHMENT PLAN "C"**

LOCATION :	PLEASE ADVISE
ARCHITECT :	PLEASE ADVISE
GENERAL CONTRACTOR :	PLEASE ADVISE
SUB. CONTRACTOR :	PLEASE ADVISE
HFG. REP. :	
DRAWN BY :	JG
SCALE :	AS SHOWN
CHECKED BY :	BKA
DATE :	01/04/22

MODEL NUMBER / DOOR NUMBER: **SS2000-M**

SHEET: **1** OF **1** DRAWING NO.: **XXXX**